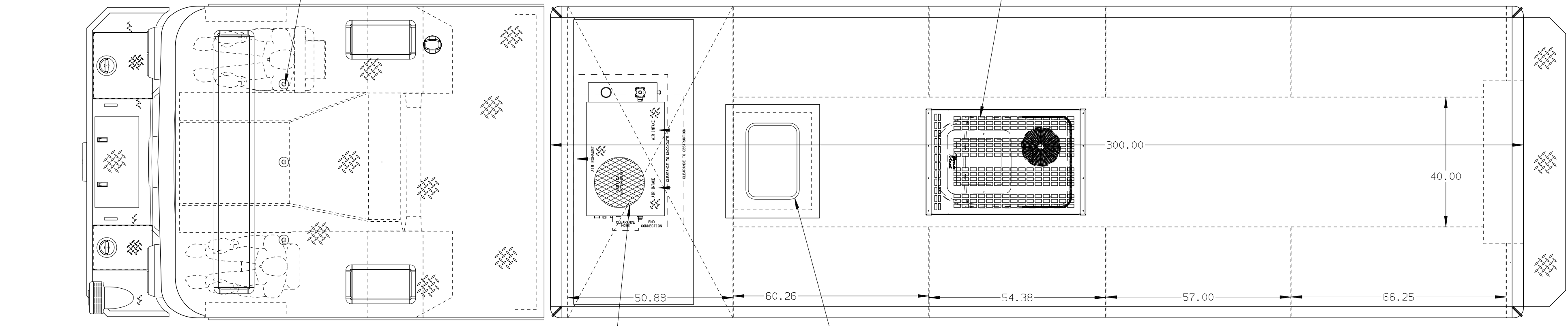
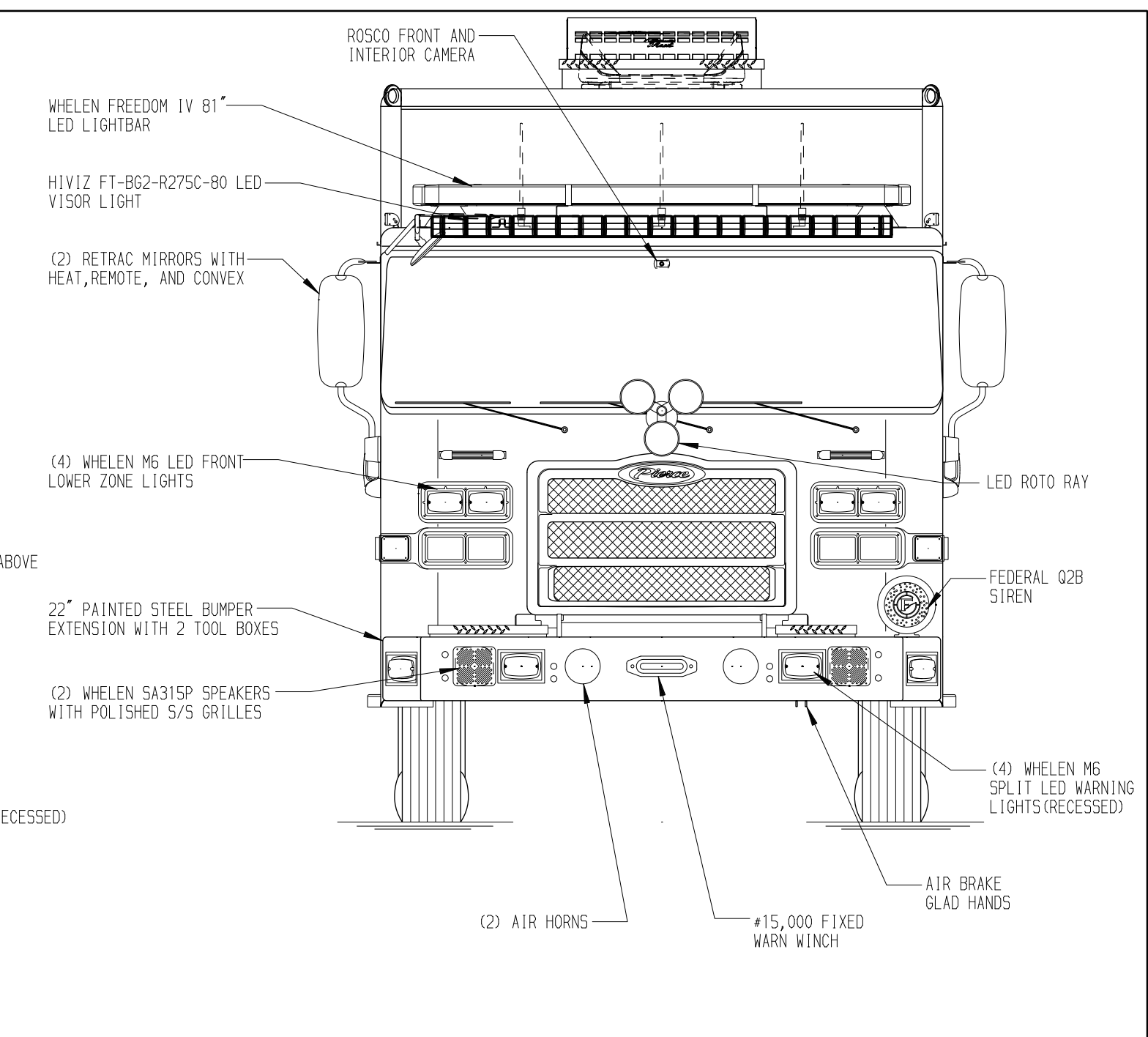
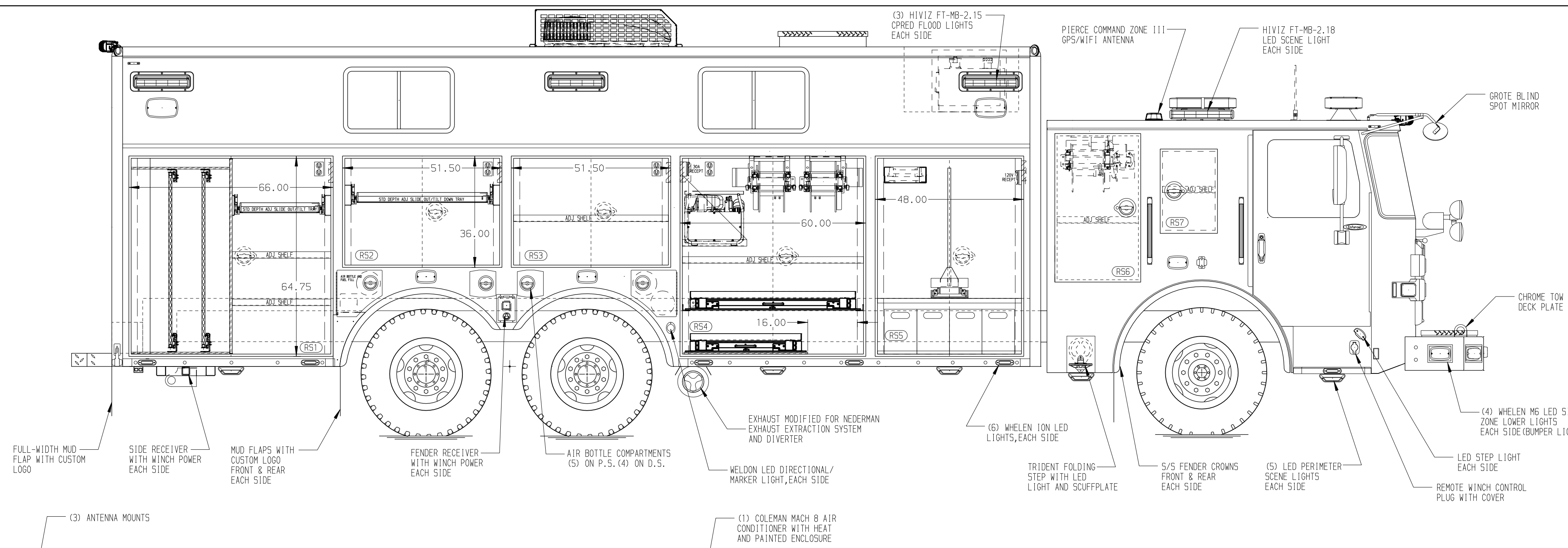
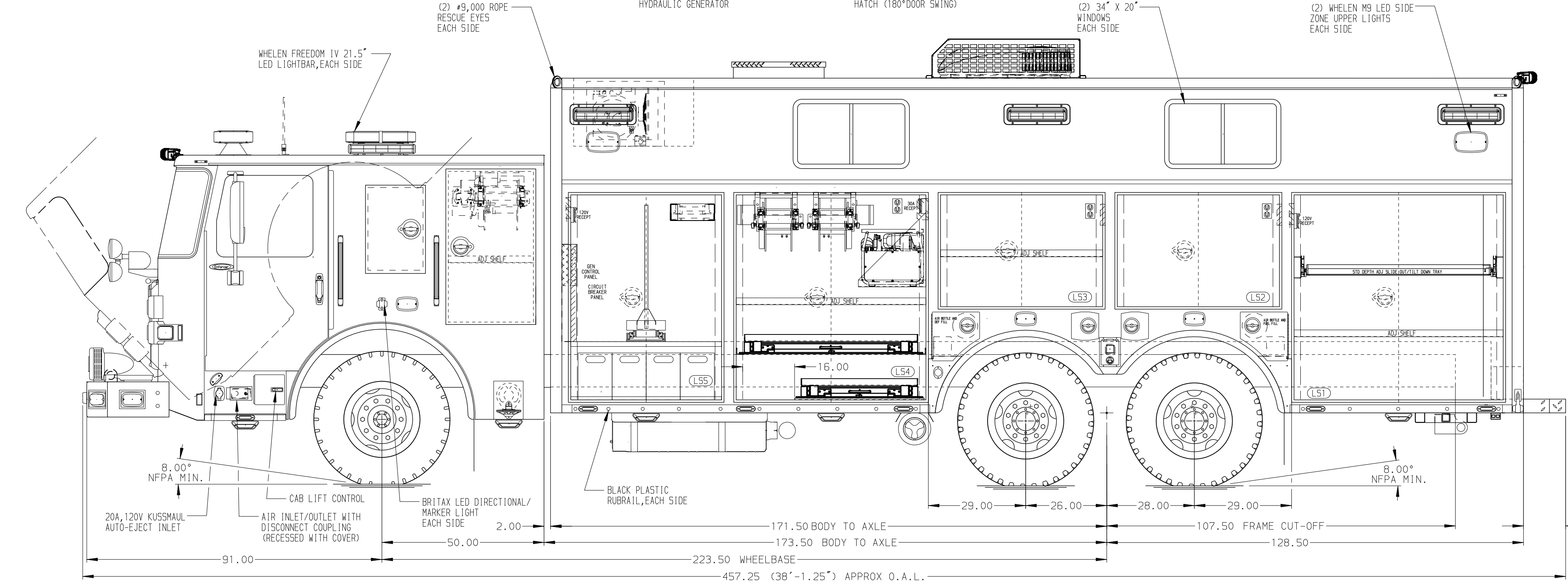
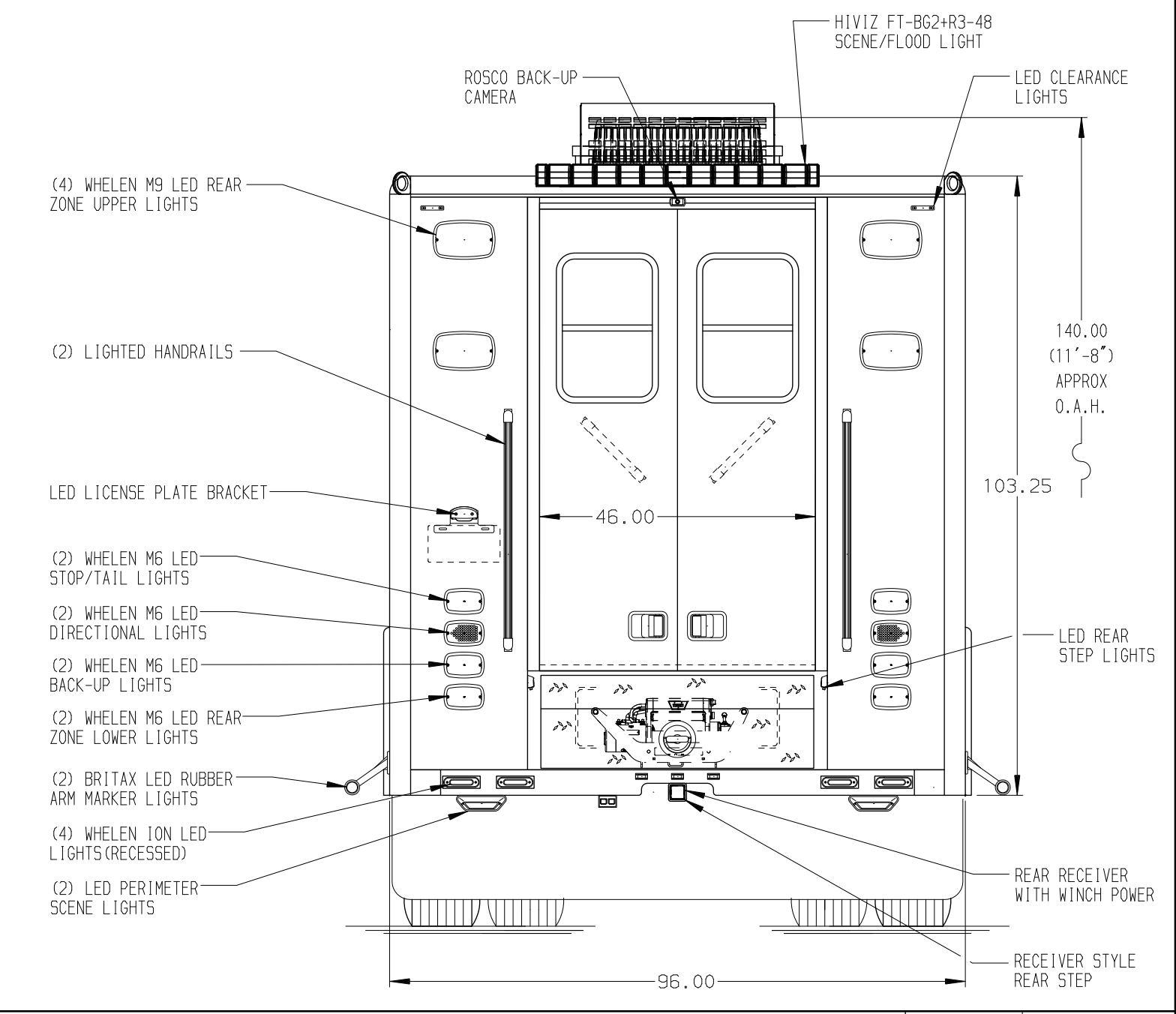


- RIGHT SIDE COMPARTMENTS CONTAIN THE FOLLOWING:**
- COMPARTMENT RS1 CONTAINS:
 - (1) STD DEPTH ADJ SLIDE OUT/TILT TRAY
 - (2) STD DEPTH SLIDE OUT TOOLBOARDS WITH DUAL SLIDES
 - (1) VERTICAL COMPARTMENT DIVIDER
 - (1) 20A, 120V DUPLEX RECEPTACLE
 - (1) 12V BLUE SEA FUSE BLOCK
 - COMPARTMENT RS2 CONTAINS:
 - (1) STD DEPTH ADJ SLIDE OUT/TILT TRAY
 - (1) 20A, 120V DUPLEX RECEPTACLE
 - (1) 12V BLUE SEA FUSE BLOCK
 - COMPARTMENT RS3 CONTAINS:
 - (1) STD DEPTH ADJ SHELF
 - (1) 20A, 120V DUPLEX RECEPTACLE
 - (1) 12V BLUE SEA FUSE BLOCK
 - COMPARTMENT RS4 CONTAINS:
 - (1) STD DEPTH ADJ SHELF
 - (1) STD DEPTH ADJ ON-SCENE SLIDE OUT TRAY
 - (1) FIXED GUSSETED SHELF
 - (1) STD DEPTH ON-SCENE SLIDE OUT TRAY
 - (2) HYDRAULIC REELS WITH 100' OF HOSE EACH
 - (1) 20A, 120V DUPLEX RECEPTACLE
 - (1) 12V BLUE SEA FUSE BLOCK
 - (1) 30, 240V T.L. RECEPTACLE
 - (1) HURST P650 4E HYDRAULIC POWER UNIT
 - COMPARTMENT RS5 CONTAINS:
 - (1) 1/2 DEPTH ON-SCENE SLIDE OUT TRAY WITH TOOLBOARD
 - (1) HORIZONTAL FLOOR EXTENSION
 - (1) RACK FOR 10" FRESNO LADDER
 - (4) POLY TOOL BOXES
 - (1) 20A, 120V DUPLEX RECEPTACLE
 - (1) 12V BLUE SEA FUSE BLOCK
 - COMPARTMENT RS6 CONTAINS:
 - (1) 1/2 DEPTH ADJ SHELF
 - 1/4" UPF POLY LINING ON COMPARTMENT FLOOR
 - (1) ELECTRIC CORD REEL WITH 200' OF 10/4 YELLOW CORD
 - (1) ROLLER GUIDE MOUNTED ON COMPARTMENT DOOR
 - COMPARTMENT RS7 CONTAINS:
 - (1) 20A, 120V DUPLEX RECEPTACLE
 - (1) 12V BLUE SEA FUSE BLOCK



LEFT SIDE COMPARTMENTS CONTAIN THE FOLLOWING:

- COMPARTMENT LS1 CONTAINS:
 - (1) STD DEPTH ADJ SLIDE OUT/TILT TRAY
 - (1) STD DEPTH ADJ TRAY
 - (1) 20A, 120V DUPLEX RECEPTACLE
 - (1) 12V BLUE SEA FUSE BLOCK
- COMPARTMENT LS2 CONTAINS:
 - (1) 20A, 120V DUPLEX RECEPTACLE
 - (1) 12V BLUE SEA FUSE BLOCK
- COMPARTMENT LS3 CONTAINS:
 - (1) STD DEPTH ADJ TRAY
 - (1) 20A, 120V DUPLEX RECEPTACLE
 - (1) 12V BLUE SEA FUSE BLOCK
- COMPARTMENT LS4 CONTAINS:
 - (1) STD DEPTH ADJ ON-SCENE SLIDE OUT TRAY
 - (1) FIXED GUSSETED SHELF
 - (1) STD DEPTH ON-SCENE SLIDE OUT TRAY
 - (2) HYDRAULIC REELS WITH 100' OF HOSE EACH
 - (1) 20A, 120V DUPLEX RECEPTACLE
 - (1) 12V BLUE SEA FUSE BLOCK
 - (1) 30, 240V T.L. RECEPTACLE
 - (1) HURST P650 4E HYDRAULIC POWER UNIT
- COMPARTMENT LS5 CONTAINS:
 - (1) 1/2 DEPTH ON-SCENE SLIDE OUT TRAY WITH TOOLBOARD
 - (1) HORIZONTAL FLOOR EXTENSION
 - (1) RACK FOR 10" FRESNO LADDER
 - (1) CIRCUIT BREAKER PANEL
 - (1) GENERATOR METER PANEL
 - (4) POLY TOOL BOXES
 - (1) 20A, 120V DUPLEX RECEPTACLE
 - (1) 12V BLUE SEA FUSE BLOCK
- COMPARTMENT LS6 CONTAINS:
 - (1) 1/2 DEPTH ADJ SHELF
 - 1/4" UPF POLY LINING ON COMPARTMENT FLOOR
 - (1) ELECTRIC CORD REEL WITH 200' OF 10/4 YELLOW CORD
 - (1) ROLLER GUIDE MOUNTED ON COMPARTMENT DOOR
- COMPARTMENT LS7 CONTAINS:
 - (1) 20A, 120V DUPLEX RECEPTACLE
 - (1) 12V BLUE SEA FUSE BLOCK



NOTE
DIMENSIONS SHOWN ARE APPROXIMATE AND ARE SUBJECT TO MINOR DEVIATIONS AS MAY OCCUR OR BE NECESSARY IN CONSTRUCTION.
MINOR DETAILS NOT SHOWN.

- NOTES:**
1. WARN #10,000 PORTABLE RECEIVER STYLE WINCH
 2. POLISHED 5/5 SCUFFPLATES ON CAB DOOR JAMBS
 3. FLOOR IN CAB TO BE PADDED RUBBER
 4. DAVID CLARK 6 POSITION INTERCOM SYSTEM
 5. KUSSMAU PUMP PLUS 1200 CHARGER LOCATED BEHIND DRIVERS SEAT
 6. 5/5 SCUFFPLATES AROUND FUEL FILL OPENINGS
 7. (2) #9,000 RECEIVER STYLE ROPE RESCUE EYES
 8. PIERCE LED STRIP LIGHTS IN ALL BODY COMPARTMENTS

NOTE:
LAP DOORS HAVE BEEN SHOWN IN HIDDEN LINES TO CLEARLY IDENTIFY THE EQUIPMENT IN EACH COMPARTMENT. DASHED LINES ON SIDES ARE DOORS IN OPEN POSITION

CLEAR DOOR WIDTH KEY		CHASSIS DATA
AMDR ROLL UP DOORS:	-2 1/4"	08JUN20 DHE AZU MAKE
CORITITE ROLL UP DOORS:	-2 1/2"	01MAY20 DHE AZU PIERCE
PIERCE DOUBLE LAP DOORS:	-4 1/4"	21FEB20 DHE AZU MODEL
PIERCE LIFT-UP LAP DOORS:	-1 1/2"	REV DATE BY CH EN5000
(EX: 60" F-F - 2 1/4" = 57 3/4" CLEAR)		
(F-F) = FRAME TO FRAME		

(SIDE ROLL AND FRONTAL IMPACT PROTECTION)

		JOB NO.	34535
		SCALE	DATE
TITLE	HEAVY DUTY RESCUE WALKIN/NON-WALKIN COMBO	DRAWN BY	DHE 17FEB20
FOR	PRINCE GEORGE'S COUNTY FIRE & EMS DEPARTMENT	CHECKED BY	AZU 19FEB20
	PRINCE GEORGE'S COUNTY	RANDY SCHWARTZ	
DWG NO.	34535AD-SH1	SHEET SIZE	SHEET NO.
		D	1 OF 1