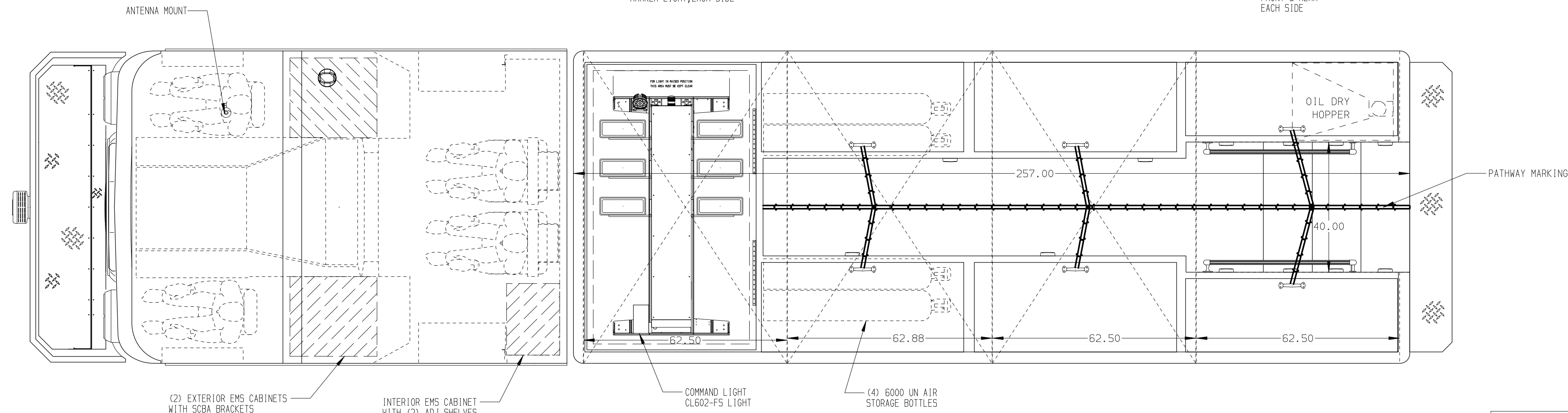
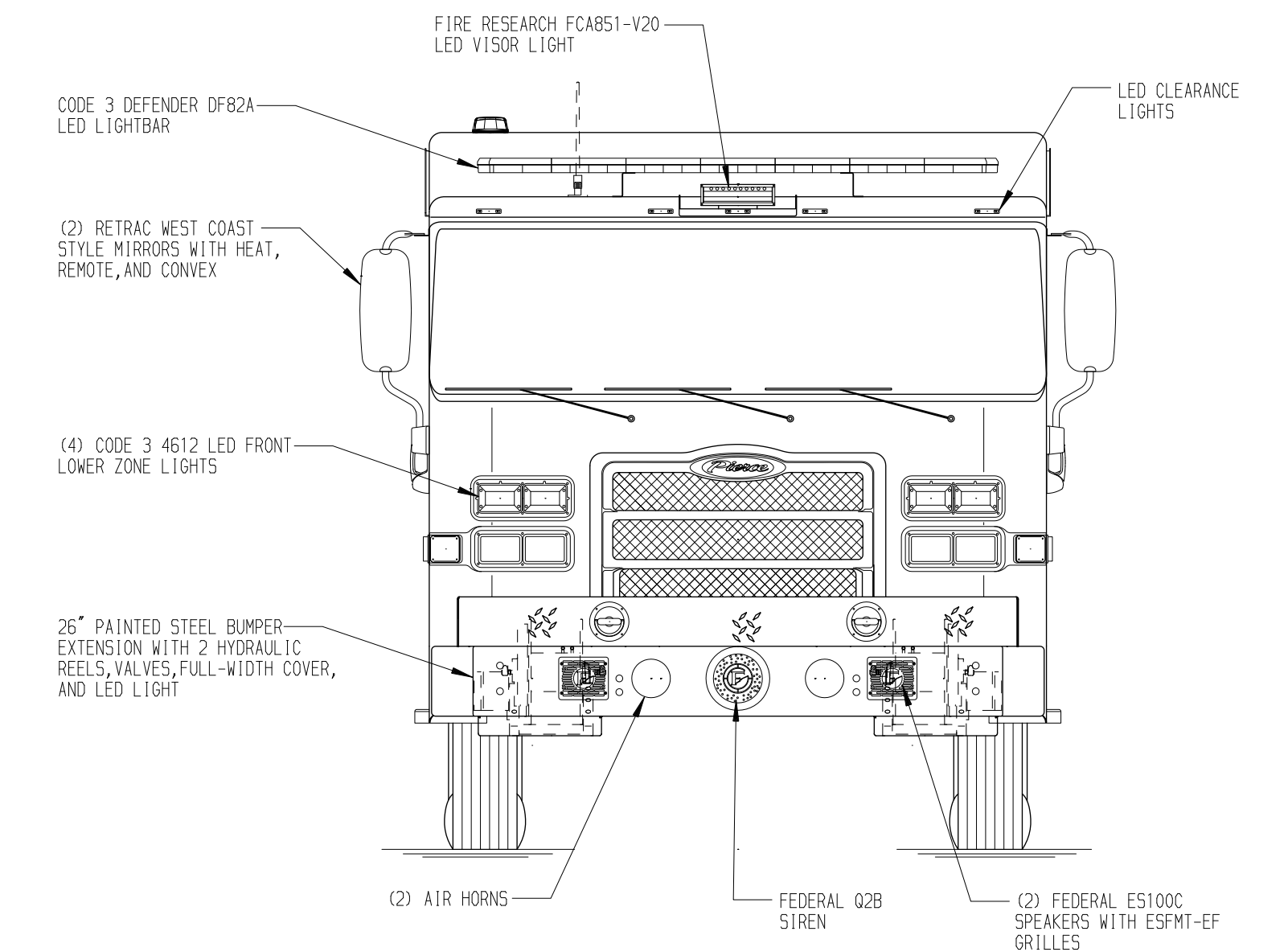
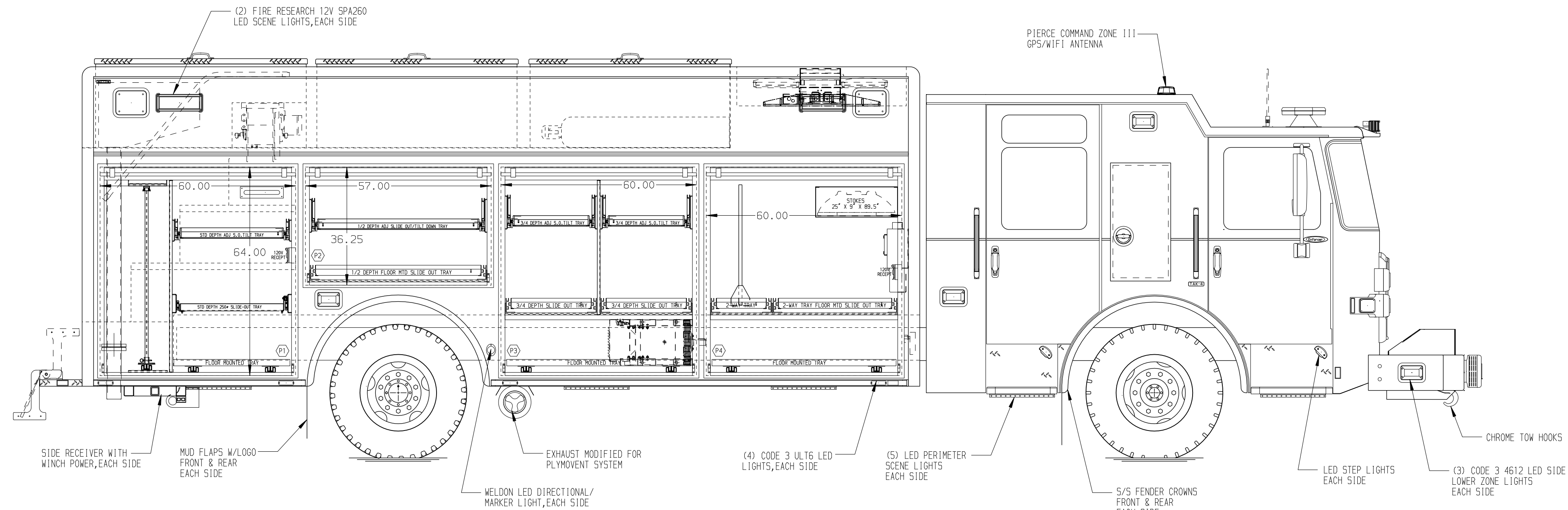
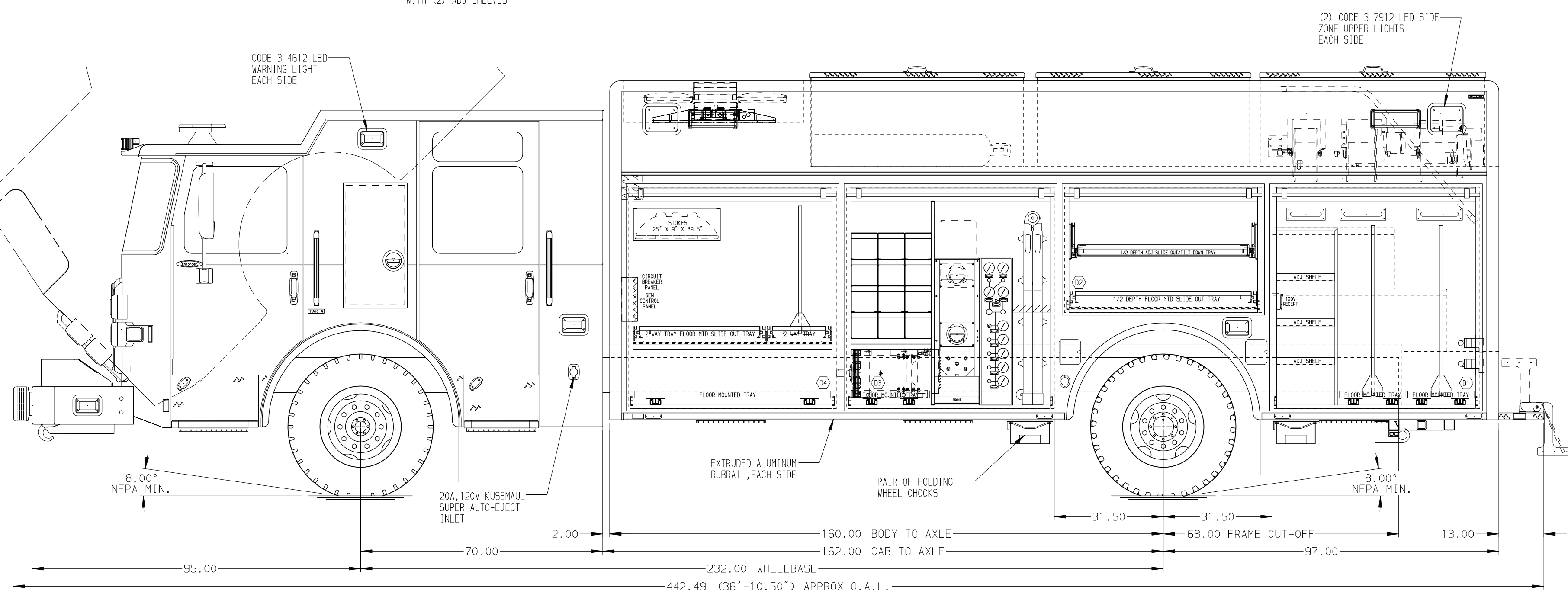


PASSENGER'S SIDE COMPARTMENTS CONTAIN THE FOLLOWING:

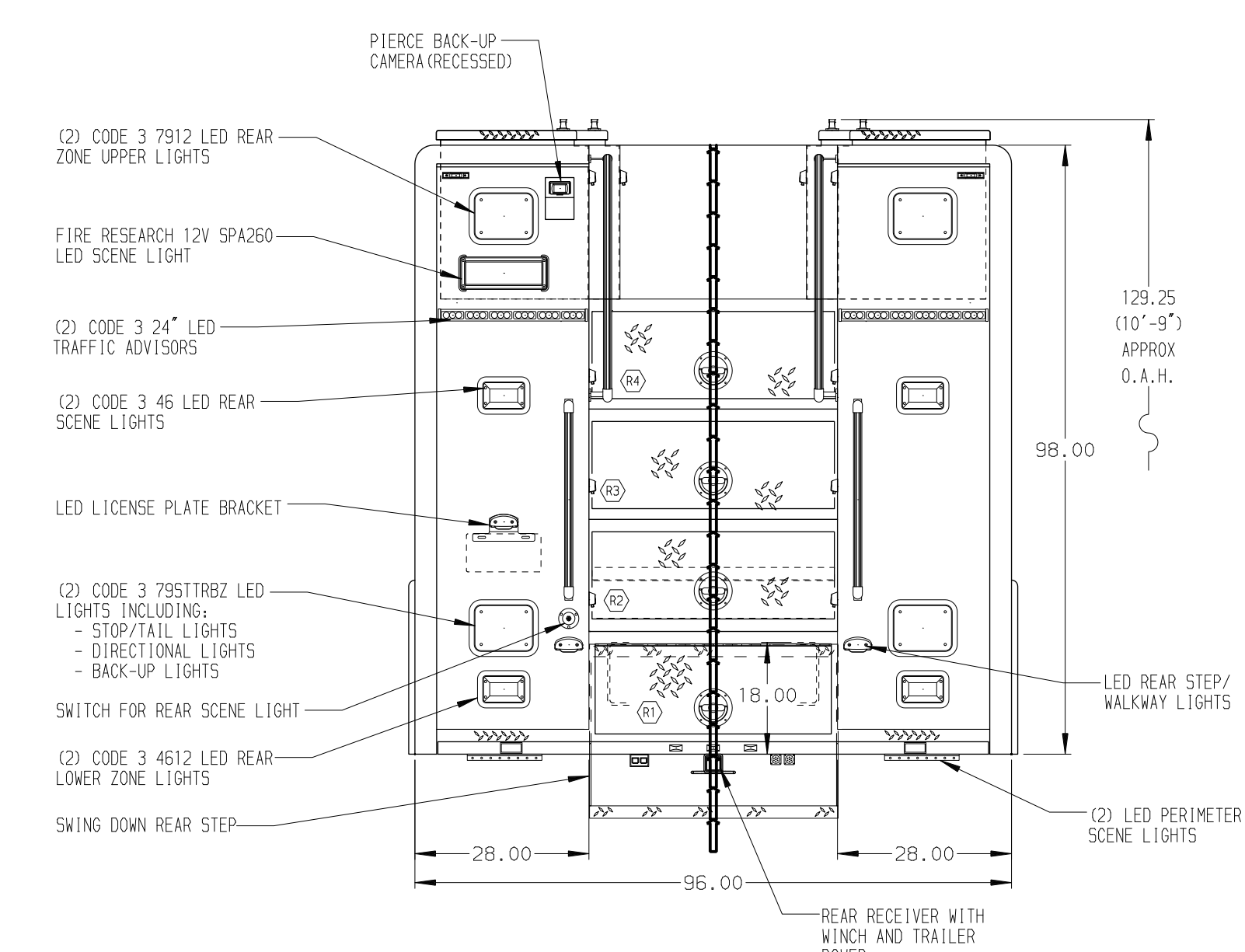
- COMPARTMENT P1 CONTAINS:**
 - (1) STD DEPTH ADJ SLIDE OUT TRAY
 - (1) 1/2 DEPTH ADJ SLIDE OUT/TILT TRAY
 - (1) FLOOR MOUNTED TRAY
 - (1) OIL DRY HOPPER
 - (1) VERTICAL COMPARTMENT DIVIDER
 - (1) 20A, 120V DUPLEX RECEPTACLE
 - (1) HYDRAULIC REEL W/100' OF DUAL HOSE
- COMPARTMENT P2 CONTAINS:**
 - (1) 1/2 DEPTH ADJ SLIDE OUT/TILT TRAY
 - (1) 1/2 DEPTH FLOOR MTD SLIDE OUT TRAY
- COMPARTMENT P3 CONTAINS:**
 - (1) HORIZONTAL FLOOR EXTENSION
 - (2) 3/4 DEPTH ADJ SLIDE OUT/TILT TRAYS
 - (2) 3/4 DEPTH FLOOR MTD SLIDE OUT TRAYS
 - (1) FLOOR MOUNTED TRAY
 - (1) VERTICAL COMPARTMENT DIVIDER
- COMPARTMENT P4 CONTAINS:**
 - (1) CAB LIFT CONTROLLER
 - (1) HORIZONTAL FLOOR EXTENSION
 - (1) 2-WAY FLOOR MOUNTED SLIDE OUT TRAY
 - (1) FLOOR MOUNTED TRAY
 - (1) 2-WAY FLOOR MOUNTED SLIDE OUT TRAY WITH TOOLBOARD
 - (1) STOKES BASKET RACK
 - (1) 20A, 120V DUPLEX RECEPTACLE
 - (1) HYDRAULIC RESERVOIR FOR XRT SYSTEM



- REAR COMPARTMENT CONTAINS THE FOLLOWING:**
- COMPARTMENT R1 CONTAINS:**
 -
- COMPARTMENT R2 CONTAINS:**
 - (1) FIXED SHELF
- COMPARTMENT R3 CONTAINS:**
 -
- COMPARTMENT R4 CONTAINS:**
 -



- DRIVER'S SIDE COMPARTMENTS CONTAIN THE FOLLOWING:**
- COMPARTMENT D1 CONTAINS:**
 - (1) T-SHAPED DIVIDER
 - (3) STD DEPTH ADJ SHELVES
 - (2) FLOOR MOUNTED TRAYS W/TOOLBOARDS
 - (1) ELECTRIC CORD REEL WITH 200' OF 12/3 YELLOW CORD
 - (1) TOOL AIR REEL W/150' OF HOSE
 - (1) HYDRAULIC REEL W/100' OF DUAL HOSE
 - (1) DUMP VALVE AND SELECTOR VALVE FOR HYDRAULIC REEL
 - (1) 20A, 120V DUPLEX RECEPTACLE
- COMPARTMENT D2 CONTAINS:**
 - (1) 1/2 DEPTH ADJ SLIDE OUT/TILT TRAY
 - (1) 1/2 DEPTH FLOOR MTD SLIDE OUT TRAY
- COMPARTMENT D3 CONTAINS:**
 - (1) RACK FOR 12 SCBA BOTTLES
 - (1) HORIZONTAL FLOOR EXTENSION
 - (1) FLOOR MOUNTED TRAY
 - (1) VERTICAL COMPARTMENT DIVIDER
 - (1) CASCADE SYSTEM CONTROL PANEL
 - (1) "SPACESAVER" 2-BOTTLE FILL ENCLOSURE
 - (1) VELCRO STRAP TO RETAIN LADDER
- COMPARTMENT D4 CONTAINS:**
 - (1) KUSSMAUL PUMP PLUS 1000 CHARGER
 - (1) HORIZONTAL FLOOR EXTENSION
 - (1) 2-WAY FLOOR MOUNTED SLIDE OUT TRAY
 - (1) FLOOR MOUNTED TRAY
 - (1) 2-WAY FLOOR MOUNTED SLIDE OUT TRAY WITH TOOLBOARD
 - (1) STOKES BASKET RACK
 - (1) CIRCUIT BREAKER PANEL
 - (1) GENERATOR METER PANEL
 - (1) COMMAND LIGHT CONTROLLER



NOTE
 DIMENSIONS SHOWN ARE APPROXIMATE AND ARE SUBJECT TO MINOR DEVIATIONS AS MAY OCCUR OR BE NECESSARY IN CONSTRUCTION. MINOR DETAILS NOT SHOWN.

- NOTES:**
- ONAN 35kW SINGLE PHASE PTO DRIVEN GENERATOR LOCATED BETWEEN THE FRAME RAILS
 - WARN #9,500 PORTABLE WINCH
 - FLOOR IN CAB AND CREW CAB TO BE ALUMINUM TREADPLATE
 - AMOR DUAL LED LIGHTS IN ALL BODY AND HATCH COMPARTMENTS
 - XRT-2 HYDRAULIC PUMP INSTALLED ON ONAN GENERATOR
 - ADDITIONAL XRT-2 HYDRAULIC PUMP INSTALLED ON TRANSMISSION PTO

CLEAR DOOR WIDTH KEY							
AMOR ROLL UP DOORS:	-1 7/8"	▽	07NOV17	DHE	CDK	CHASSIS DATA	
CORTITE ROLL UP DOORS:	-2 3/4"	▽	230CT17	DHE	CDK	MAKE	
PIERCE DOUBLE LAP DOORS:	-4 1/4"	▽	21SEP17	DHE	CDK	PIERCE	
PIERCE LIFT-UP LAP DOORS:	-1 1/2"	▽	25JUL17	DHE	AZU	MODEL	
(EX: 60" F-F - 1 7/8" = 58 1/8" CLEAR)		▽	REV	DATE	BY	CH	EN7010

		JOB NO.	31407
		SCALE	DATE
TITLE	HEAVY DUTY RESCUE NON-WALKIN	DRAWN BY	DHE 14JUL17
FOR	CANTON FIRE DEPARTMENT CANTON, MI	CHECKED BY	CDK 17JUL17
DWG NO.	31407AD	SHEET SIZE	SHEET NO.
		D	1 OF 1